



*Poêle à bois
intelligent / Intelligent
wood burning stove*

skyeE700
charnwood

skyeE700

charnwood

AN EXCEPTIONALLY CLEAN AND INTELLIGENT WOOD-BURNING STOVE, DESIGNED AND MANUFACTURED ON THE ISLE OF WIGHT IN GREAT BRITAIN.

The Skye E700 is a new intelligent micro processor controlled stove that is set to revolutionize the way we burn wood. Load the fire, close the door, set your room temperature using the Charnwood app and let the stove do the rest. It is as simple as that!

This stove uses Charnwood I-Blu combustion intelligence that continuously monitors the state of the fire; introducing air in just the right amounts, in the right places, at exactly the right time to ensure an ultra clean, highly efficient burn. Good for the environment, good for saving fuel and good for giving a crystal clear view of the fire.

The Skye E700 is as well thought-out in terms of style as it is of function. Its design is refreshingly classic and minimal, with a modern twist. With a certified efficiency of 82% (LHV), the Skye E700 is the most efficient non-catalytic stove in its class on the market today.

Made in Great Britain by Charnwood, a family business that has been designing and making wood burning stoves for nearly 50 years. Charnwood are renowned for being Great Britain's leading stove manufacturer who have been at the forefront of stove design and clean burn innovation since 1972.



Système breveté de distribution d'air I-Blu pour une combustion automatisée ultra-propre / Patented I-Blu air delivery system for an ultra-clean automated burn.



La grille de conversion réglable de Charnwood permet un lavage propre, simple et très efficace. / Charnwood's adjustable converting grate for clean, simple and highly effective de-ashing.



Scanner ici pour voir un vidéo du SkyeE700/
Scan here to see a video of the SkyeE700

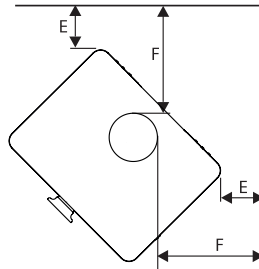
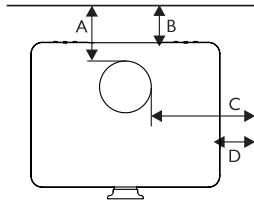
<https://www.youtube.com/watch?v=qkoyGYznuB8&t=2s>

Spécifications/ Specifications

GAMME DE PUISSANCE CALORIFIQUE EPA/ EPA HEAT OUTPUT RANGE	29,850-10,520Btu/hr (8.8-3.1kW)
TAILLE DE LA BÛCHE/ LOG LENGTH	16" (406mm) max - 14" (355mm) recommandé/ recommended
SORTIE DE FUITE/ FLUE OUTLET	6" (150mm)
ÉMISSIONS CERTIFIÉES EPA/ EPA CERTIFIED EMISSIONS	1.7 g/hr
EFFICACITÉ/ CERTIFIED ENERGY EFFICIENCY	82% LHV / 77% HHV
POIDS/ WEIGHT	346lb (157kg)
COULEURS/ COLOURS	noir, black

Paroi arrière / Paroi latérale - avec sortie par le haut
 Back wall / Side Wall - with top venting

Installation en coin avec sortie par le haut
 Corner installation with top venting



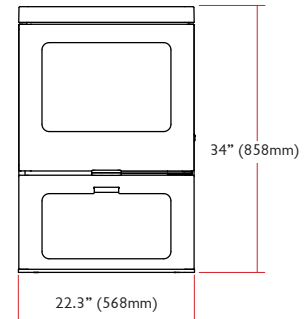
Tuyau à double paroi + écran thermique

DIMS	A	B	C	D	E	F
Double Wall Pipe + Heat Shield	11.5"	6"	22"	11"	11"	22"

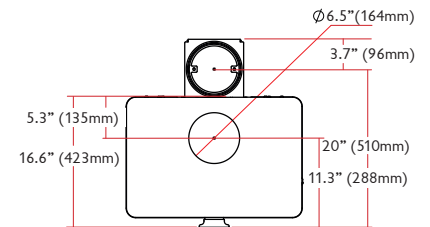
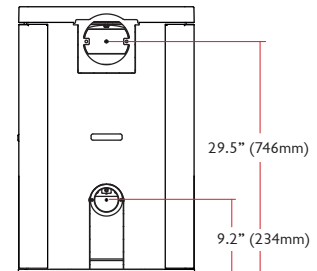
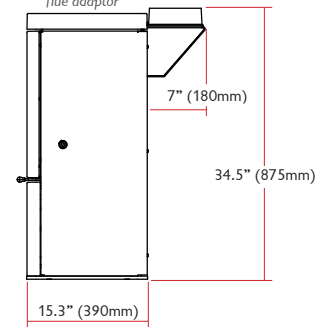


Scanner ici pour de l'information/
 Scan here for information

<https://www.youtube.com/watch?v=qkoyGVznuB8&t=2s>



Adaptateur de conduit de fumée arrière en option/Optional rear flue adaptor



Scanner ici pour voir un vidéo du SkyeE700/
 Scan here to see a video of the SkyeE700





Rainbow Hearth & Home
20181 Charlane Dr.
Redding, Ca. 96002
530.223.6833
rainbowstoves.com

charnwood BISHOPS WAY, NEWPORT, ISLE OF WIGHT PO30 5WS, UNITED KINGDOM
WWW.CHARNWOOD.COM